

EVERY



for everyone

EVERY

for everyone



*Rejoice for
everyone*



Every Drive, A New Chapter in Happiness

Embark on a journey of joy where every mile is a moment of convenience and utility. The Every is thoughtfully crafted to be more than just a mode of transport, it's a gateway to new experiences, memories, and happiness. With every drive, you're not just moving forward, you're writing a new chapter in the story of your life.



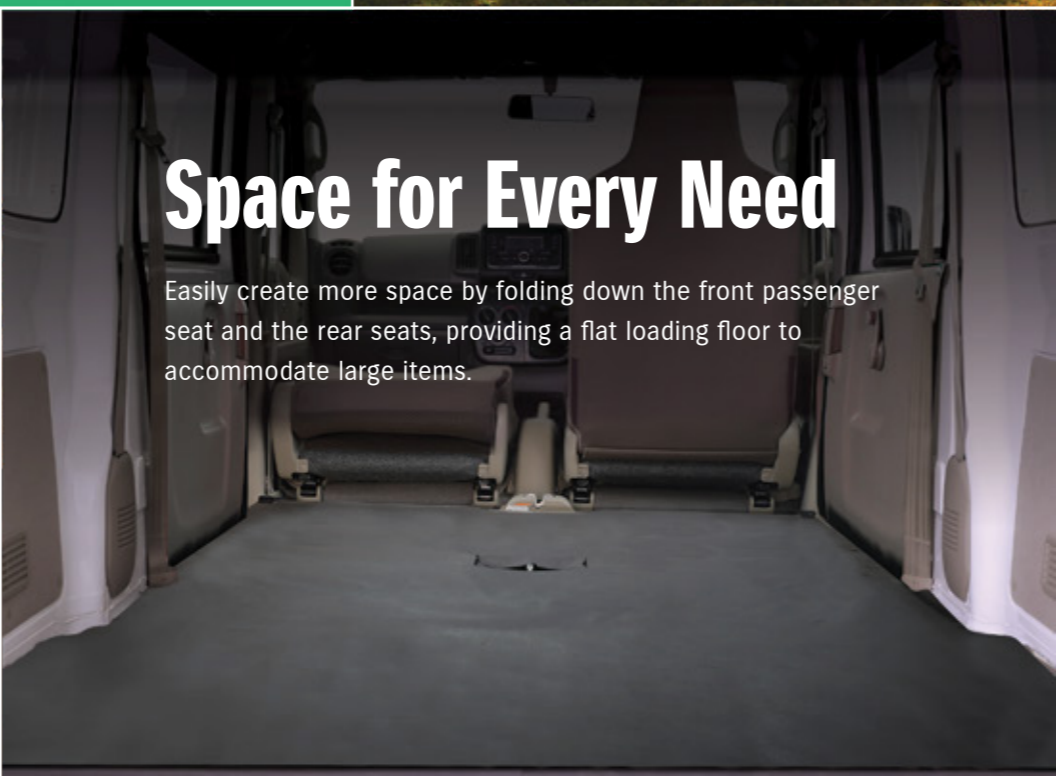


Versatility for Every Journey

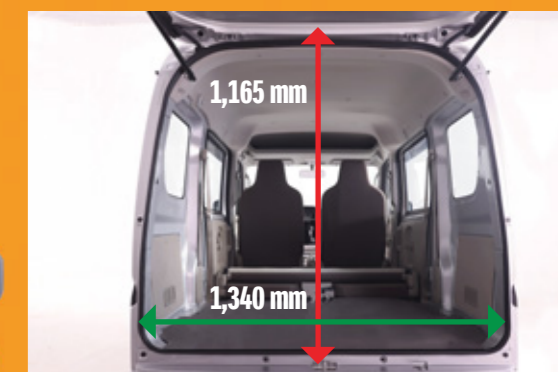


Space for Every Need

Easily create more space by folding down the front passenger seat and the rear seats, providing a flat loading floor to accommodate large items.



From family outings to business deliveries, the Every is your ideal companion. Its adaptable design and spaciousness open up endless possibilities for every trip. Whether you're heading out for an adventure with the family, transporting equipment for your next big project, or pursuing your passions, the Every has the flexibility to keep up with all your needs. Perfect for entrepreneurs, outdoor enthusiasts, or small business owners, it offers comfort, space, and practicality to fuel every aspect of your journey.



With its spacious design, the Every offers ample room for large items, ensuring that both your family and business needs can be comfortably catered. The flat loading floor when the seats are folded adds even more versatility.



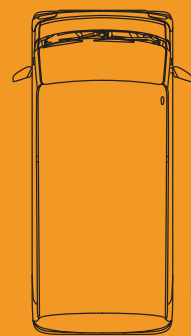


Every Mile, A Testament to Trust

Every journey in the Every is a testament to its reliability. Engineered to perform flawlessly, mile after mile, so no matter where life takes you, it's a vehicle that never lets you down. Whether you're navigating tight urban streets, commuting daily or embarking on a longer adventure, the Every makes it effortless.

Turning Radius

Easily navigate through tight city streets with the Every's impressive **4.1m** turning radius, designed to make urban driving and parking a breeze.



4.1m



Transmission (5MT)

Enjoy the control and precision of the Every's 5-speed manual transmission, designed for smooth shifts and optimal performance, whether you're navigating city streets or open roads.

R-Series 660 CC VVT (Variable Valve Timing) Engine

The enhanced engine performance is achieved by varying the time the engine valves stay open, which ensures better fuel consumption and minimal exhaust emissions. This allows fuel to be burned more cleanly and efficiently, contributing to both superior engine performance and a reduced environmental impact.

Suspension & Braking

Experience a stable and comfortable ride with the advanced MacPherson strut coil spring suspension at the front and ITL (Isolated Trailing Link) coil spring at the rear. The combination of solid disc front brakes and drum rear brakes ensures reliable stopping power, while the 145R12C 86/84S tyres offer superior road grip for all conditions.





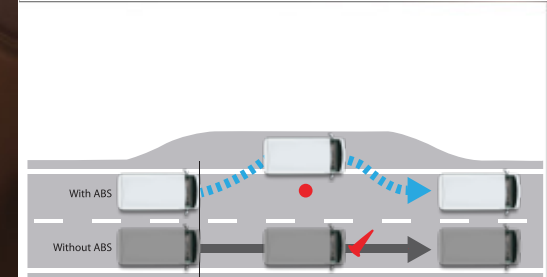
Every Journey, A Promise of Protection

Safety isn't just a feature, it's a promise. A promise that every journey, no matter how short or long, is protected by safety features. Because the well-being of you and your loved ones is our utmost priority.



Multi-reflector Halogen Headlamps

Every ride is a convenient ride with the Every. Manage the headlamps with Manual Leveling Mechanism as per your driving needs and traffic requirements.



ABS with EBD (Anti-lock Braking System) with (Electronic Brakeforce Distribution)

Prevents wheel lockup during sudden braking.

Immobilizer

Prevents unauthorized vehicle use.



SRS Airbags

Front airbags keeps driver and passenger safe.

Seat-Belt Reminder Buzzer

Alerts if seat belts are not fastened.



Under-Side Mirror

Enhances visibility and reduces blind spot while driving.



Child Lock

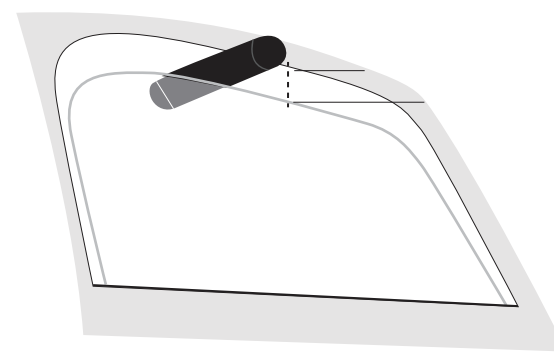
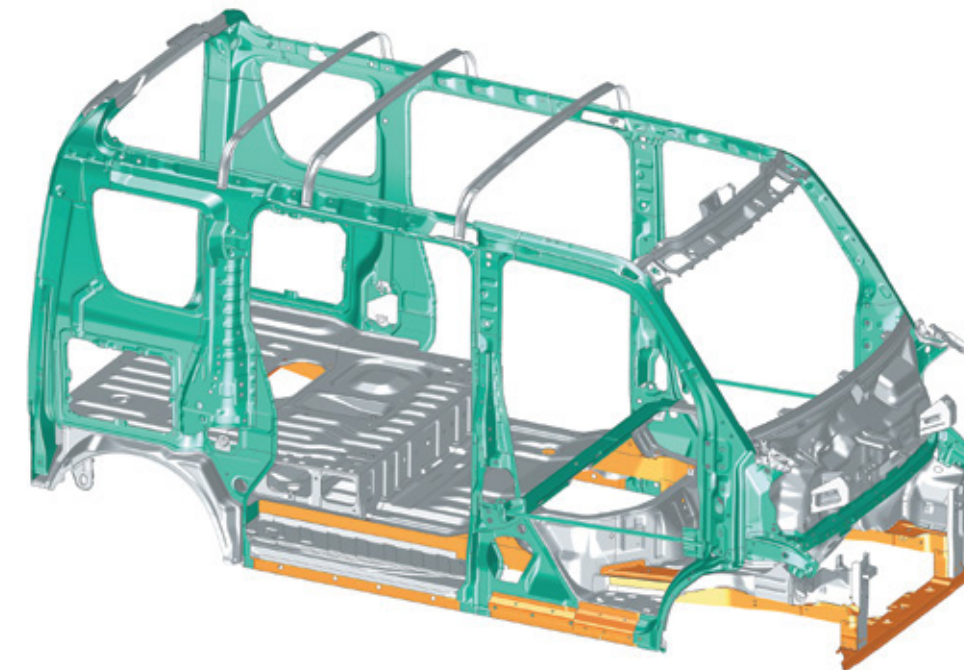
Helps keep young passengers safe.



TECT

(Total Effective Control Technology)

Suzuki's TECT body design absorbs and disperses impact energy in the event of a collision, protecting occupants by enhancing the structural integrity of the vehicle.



Anti-Pinch Window Technology

Prevents injuries by stopping window roll-up when obstructed (Driver side only).

Rear Defogger

Heat-ray glass Enhances rear visibility in adverse weather.





Comfort for Every Mile

The Every is built while keeping your comfort in mind. Whether it's hot, cold, or any weather in between, this vehicle is equipped to ensure that every ride is as comfortable as possible. Every time you're behind the wheel, you can count on a driving experience that keeps you cozy and relaxed, mile after mile.

Power Windows and Central Door Lock

Easily control windows and doors with just a touch, adding convenience to your driving experience.

Air Conditioning and Heating

Stay cool and comfortable even in the most extreme weather conditions with the Every's efficient air conditioning and heating system, ensuring a pleasant cabin temperature.

Power Steering

Enjoy effortless maneuverability, making every turn smoother and reducing driver fatigue on long trips.

150 mm

Ground Clearance

Avoid uneven surfaces with ease, thanks to the Every's optimal ground clearance, providing a smooth ride even on rough roads.

Rear Wiper with Washer

Keep your rear view clear during rain or adverse weather, ensuring better visibility and safety.

Boarding Assist Handle

Comfort is at the heart of everything in the Every. With the convenient boarding assist handle and boarding alighting step, getting on and off the car is now easier than ever.

Every Journey, Your Convenience

The Every is designed with thoughtful features that make every journey effortless and enjoyable, ensuring that even the smallest details enhance your driving experience.



Keyless Entry

Remote control door opening / locks.

Front Folding Passenger Seat

When it comes to space, more is better. Enjoy the utility ensured by folding passenger side seat and increasing the capacity area to deliver to your business and family needs.



Fast Charging USB Port

Keep your devices powered up with a quick charging USB port, ensuring you're always ready to go.



Two Step Folding Rear Seat

Enjoy spaciousness at its best. Two step folding rear seats to make ample space to meet your family and business demands.



Connectivity Options

Stay connected and entertained on every ride with Bluetooth, SD Card, USB port and AUX for seamless integration of your devices.

12V Standard Charging Socket

Power your accessories easily with a convenient 12V charging socket for additional devices.



Speakers

Stay entertained throughout the journey. Let yourself and your passengers make the most of every trip in the Every.





**Multiple Storage Spaces
Across the Cabin**



Every Journey, Your Style

Every ride is unique and now you can make it truly yours. Customize your Every with accessories designed to meet your individual needs, ensuring every journey reflects your style.



Roof Carrier

Expand your cargo capacity and bring everything you need for your next adventure.

Door Visors

Enhance your driving comfort by shielding your eyes from the sun with Every's stylish door visors. These visors not only offer shade and minimize glare but also protect against rain, enabling you to keep your windows slightly open for ventilation without the risk of water entering. This ensures a more pleasant driving experience, no matter the weather conditions.



Every Relationship, Built to Last



Every Ride is Reliable

Enjoy long-term peace of mind with the Every. A warranty that covers **3 years** or up to **60,000 kms**, your vehicle is backed by comprehensive after-sales service and maintenance packages available in more than **100 cities** and at **170+ dealership outlets**.



After-sales service support



3 years or 60,000 kms warranty

(Whichever comes first)

Solid White



Super Black Pearl



Mineral Gray



Silky Silver



Colors Available

MAJOR EQUIPMENT

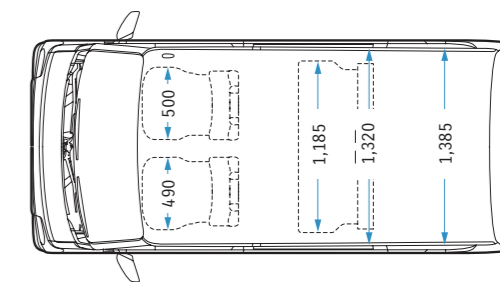
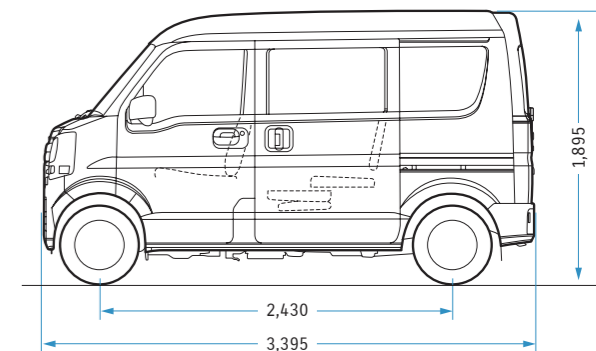
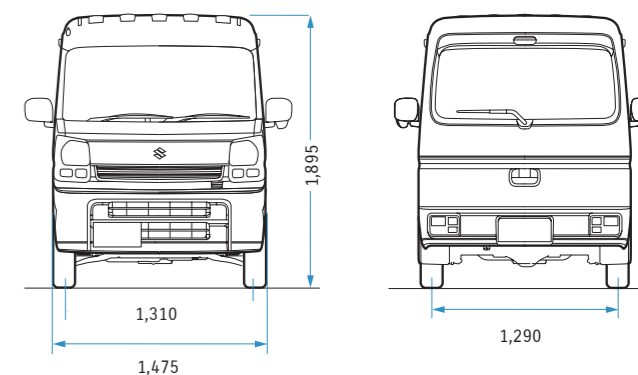
Variant	VX	VXR
Drive	2WD	
Safety Equipment		
Driving seat SRS airbag	S	S
Passenger seat SRS airbag	S	S
Head impact lighten structure interior	Front seat	S
ABS with EBD		S
Front seat belt variable force limiter		S
Front seatbelt pretensioner		S
Immobilizer		S
Security alarm		-
Child lock	Rear doors	S
Front intermittent wiper (with mist)		S
Rear wiper & washer		-
Seat belt	Front (driver, passenger) & rear	S
Anti-pinch	Front driver side	-
Comfort		
Air conditioner	Antibacterial type/with Airfilter	-
Heater		S
Pillar antenna		S
Tuner	USB, SD Card slot, Radio, Bluetooth, FM, AUX + Fast charging	-
Audio	Front speakers x 2	-
Central door lock		S
Keyless entry	(with Answer Back) Remote control door opening / locks	-
Manual retractable door mirror	Turn over type, with side under mirror	S
Power steering	2 Spokes	S
Power window	Front side	-
Front seat headrest	Seat one body	S
Front folding mechanism of passenger seat		S
Two step folding rear seat	Stow	S
Spare Tyre		S
Interior		
12V-socket		S
Afterglow type 3-position room lamp (front)		S
Afterglow type 3-position bulb luggage room lamp		S
Assist grip	Passenger side	-
Boarding-assist handle with alighting step	Driver and passenger side	S

Variant	VX	VXR
Commercial rear floor upper side cover (R/L)	S	S
Inside handle	Material color	S
Floor mat	Driver, passenger and rear seats	S
Floor carpet	Vinyl	S
Luggage carpet	Vinyl	S
Card case		S
Instrument panel cup holder	Driving seat, passenger seat engraved type	S
Center console tray	with side brake	S
Overhead shelf		S
Shopping bag hook	Upto 2 kg	S
Exterior		
Mud flap	Front (Black)	S
Outside handle	Black	S
Backdoor handle	Black	S
Visibility		
Headlamp	Multi reflector Halogen headlamps with manual leveling mechanism	S
Rear combination lamp		S

MAJOR SPECIFICATIONS

Dimension		
Overall length (mm)		3,395
Overall width (mm)		1,475
Overall height (mm)		1,895
Luggage length (mm)	Measure of [] indicates under condition of 4 passengers on board.	1,910 [975]
Luggage width (mm)	Measure of [] indicates under condition of 4 passengers on board.	1,320 [1,385]
Luggage room height (mm)		1,240
Wheelbase (mm)		2,430
Tread	Front (mm)	1,310
	Rear (mm)	1,290
Ground clearance (mm)		150
Minimum turning radius (m)		4.1
Curb weight (kg)		890
		900
Loading capacity (kg)	Measure of [] indicates under condition of 4 passengers on board.	350 [250]

Variant	VX	VXR
Capacity		
Fuel tank capacity (L)		37
Seating capacity		04
Engine		
Type	Water-cooled 4-stroke in-line 3-cylinder	R06A
Valve mechanism		DOHC12 valve VVT
Piston displacement (cc)		658
Bore x stroke (mm)		64.0 x 68.2
Compression ratio		11.00
Maximum output (kW/rpm)		32/5700
Maximum torque (N.m/rpm)		58/3800
Chassis		
Steering		Rack-and-pinion
Wheel	Wheel center cap	S
		S
Brakes	Front disc	S
	Rear drum	S
Braking booster	Vacuum-boost	S
Suspension	Front (MacPherson strut coil springs)	S
	Rear I.T.L.(Isolated Trailing Link) coil springs	S
Tyre size		145R12C 86/84S
Front stabilizer	Torsion bar	S
Transmission		
Type		5MT
Gear ratio	1st	5.106
	2nd	3.017
	3rd	1.908
	4th	1.264
	5th	1.000
	Reverse	5.151
	Final gear ratio	4.777



PAK SUZUKI MOTOR CO. LTD. reserves the right to change, without notice, prices, colors, materials, equipments, specifications & models and also to discontinue the models

* Some pictures used in this brochure are of international models
Accessories are not available in our standard variants

EVERY

for everyone





PAK SUZUKI MOTOR CO. LTD.

Head Office Karachi:

DSU-13, Pak Steel Industrial Estate, Bin Qasim, Karachi.
Call Centre: 111-SUZUKI (021-111-789-854)
Tel: 34723551-58 Fax: 34723521-3
E-mail: customercentre@paksuzuki.com.pk
Website: www.suzukipakistan.com

Regional Office South:

Plot No. 49-B, Block No. 6,
PECHS, Main Shahrah-e-Faisal, Karachi.
Tel: 021-34541101-02

Regional Office Central Punjab:

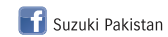
1st Floor, Silver Star Mall,
Fortress Stadium, Lahore.
Tel: 042-36688853-54

Regional Office South Punjab:

Office No. 402, 4th Floor
United Mall, Abdali Road, Multan.
Tel: 061-4586489, 4516491 Fax: 061-4581353

Regional Office North:

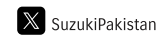
3rd Floor Malhi Plaza, Opp. Ministry of Defence,
Production Building, Murree Road, Rawalpindi, Cantt.
Tel: 051-5130229-31 Fax: 051-5120657



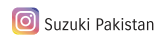
Suzuki Pakistan



Suzuki Pakistan



SuzukiPakistan



Suzuki Pakistan